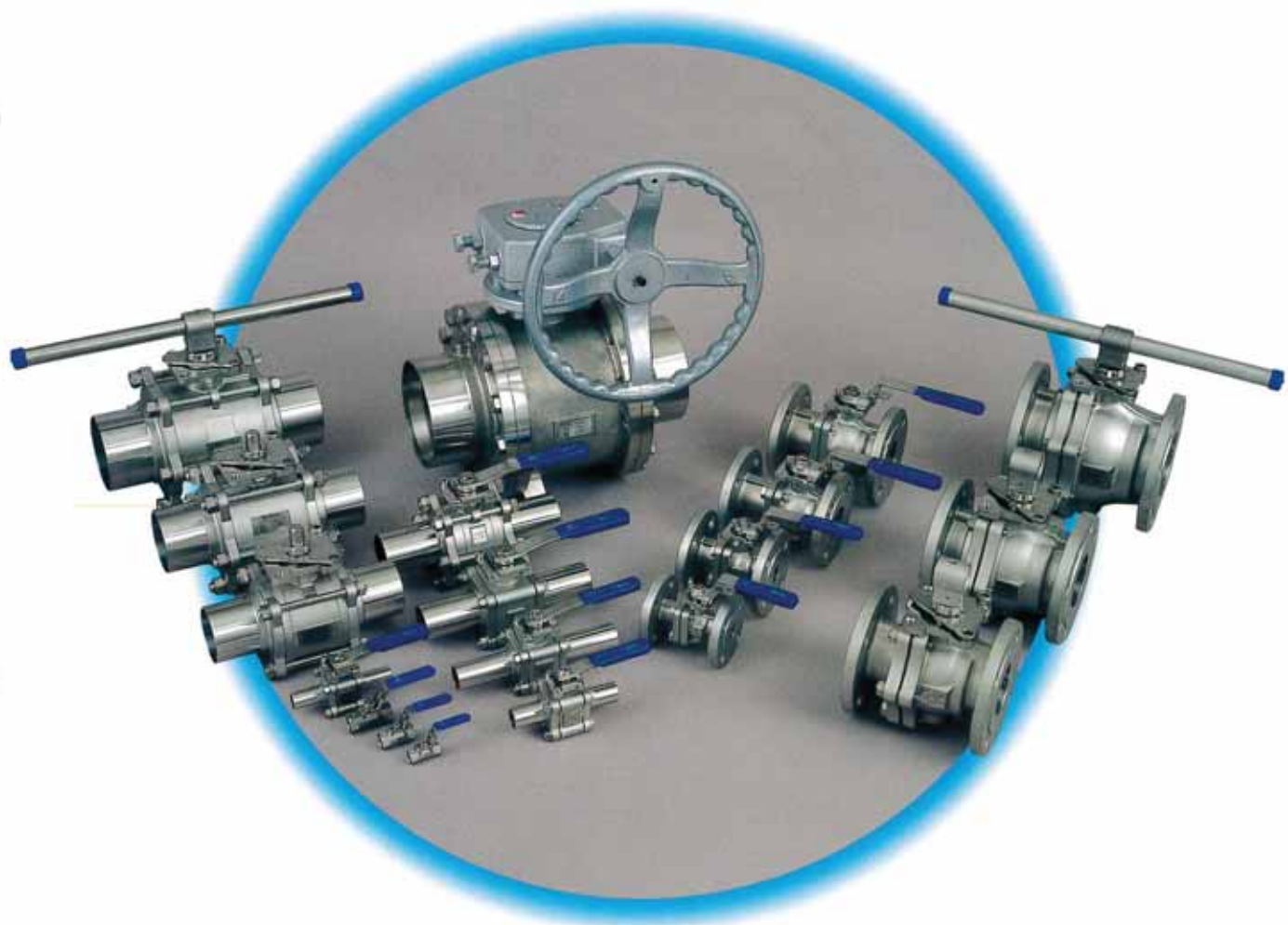


**HTV**  
HIGH TECHNOLOGY VALVE

# HIGH CLEAN Stainless Steel Ball Valve



**OHNO BELLOWS**  
IND.CO.,LTD.

# 70 Series Stainless Steel Ball Valve

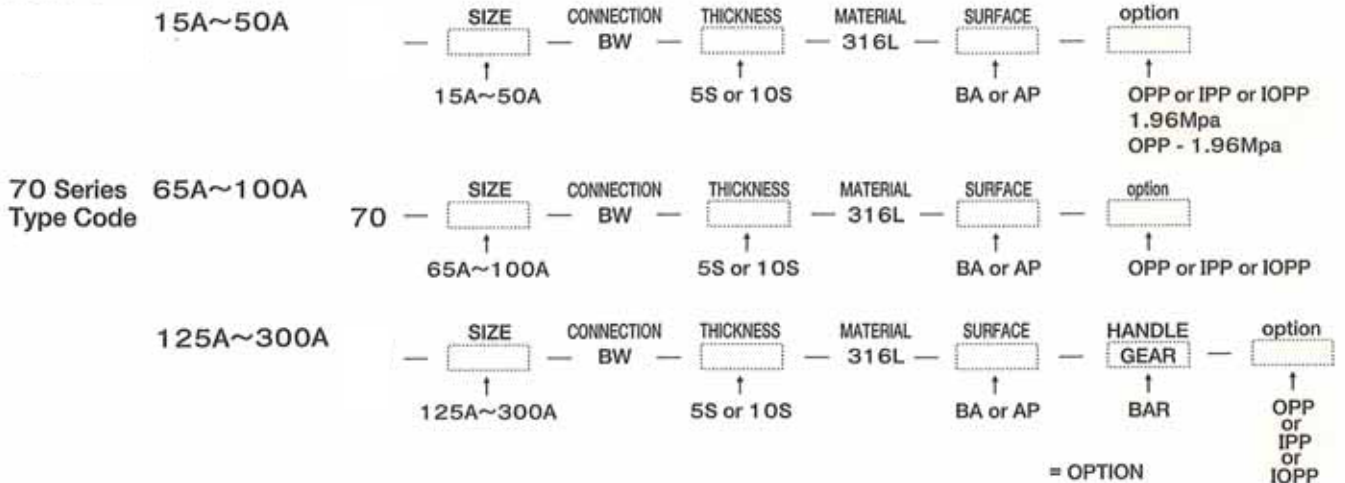
## 70Series

SIZE (口径) : 15A~50A    SIZE (口径) : 65A~300A  
 STYLE (形状) : 3Piece Type  
 Design Pressure (設計圧力) : 0.98MPa  
 Design Temperature : Max80°C  
 End Connection (接続)  
 : BW (Sch5) or BW (Sch10)

Body Material : Cast Stainless Steel  
 Shell Test (耐圧試験) : 1.48MPa  
 Seat Closure Test (弁座漏れ試験) : 1.08MPa  
 Surface Finish (内面研磨) : BA or AP  
     BA (Ry $\leq$ 4.5  $\mu$ m)  
     AP (Manufactured Face or Casting Face)  
 Handle Type : 15A~100A Bar Handle  
               : 125A~300A Attached Gear Box  
 Option : OPP=Out Purge Port  
           : IPP=In Purge Port  
           : IOPP=In and Out Purge Port

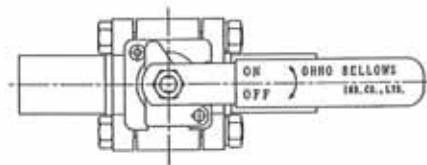
※80シリーズは設計圧力を1.96MPaまで変更可能です。また、空気操作弁も製作可能です。  
 詳細は弊社営業部員へお問い合わせください。

For the 80 Series, the design pressure can be changed to 1.96Mpa.  
 Air-operated valves can also be manufactured upon request.  
 Please consult our sales staff for your special requirements.

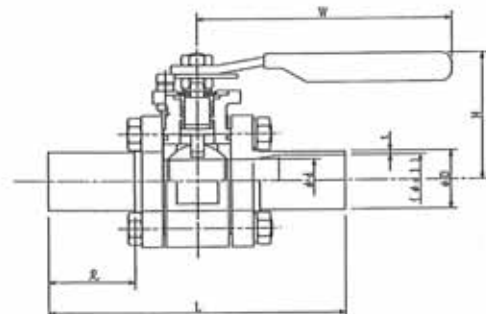
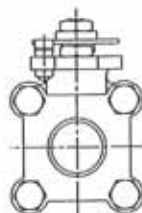


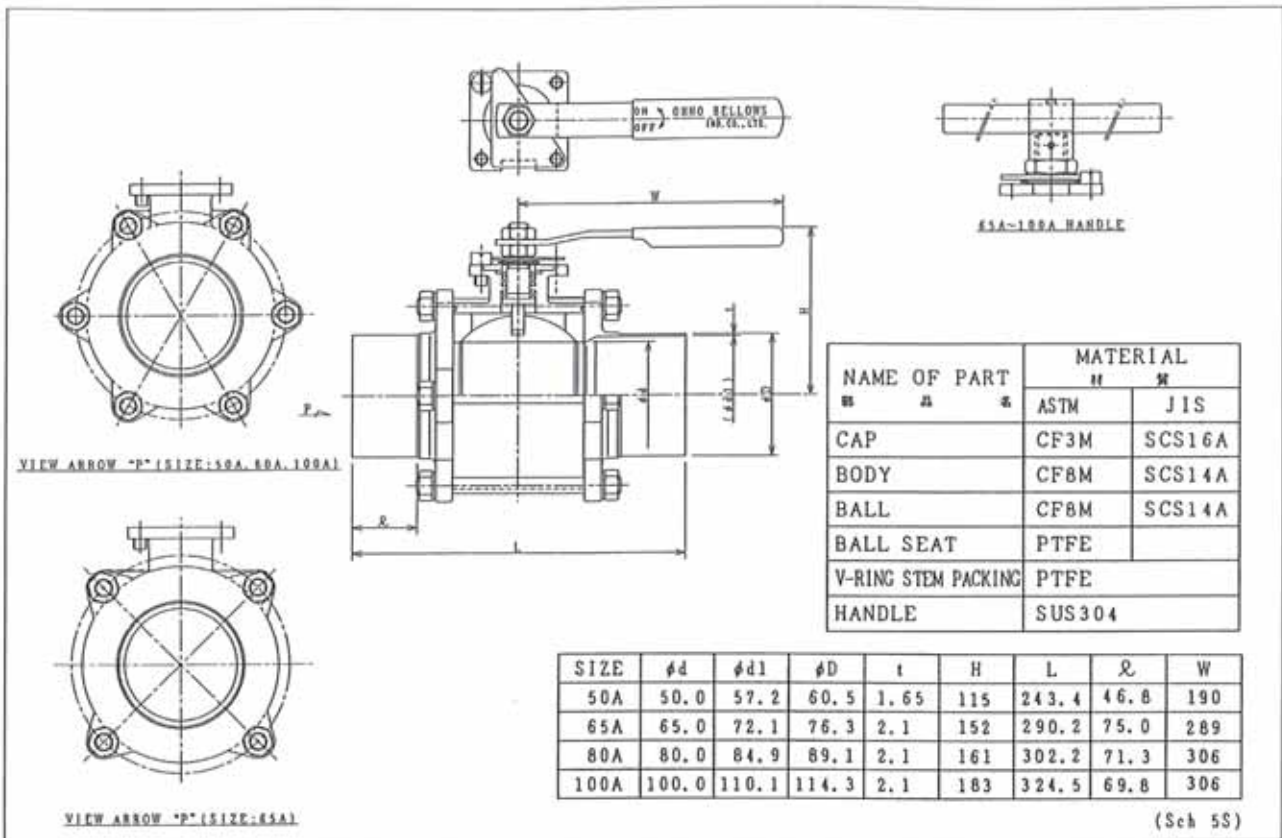
SIZE	$\phi d$	$\phi d1$	$\phi D$	t	H	L	$\phi$	W
15A	15.0	18.4	21.7	1.65	72	150.7	35.0	136
20A	20.0	23.9	27.2	1.65	75	155.7	41.3	136
25A	25.0	30.7	34.0	1.65	93	186.2	43.4	152
32A	32.0	39.4	42.7	1.65	99	195.6	50.0	152
40A	38.0	45.3	48.6	1.65	107	231.6	55.0	190

(Sch 5S)

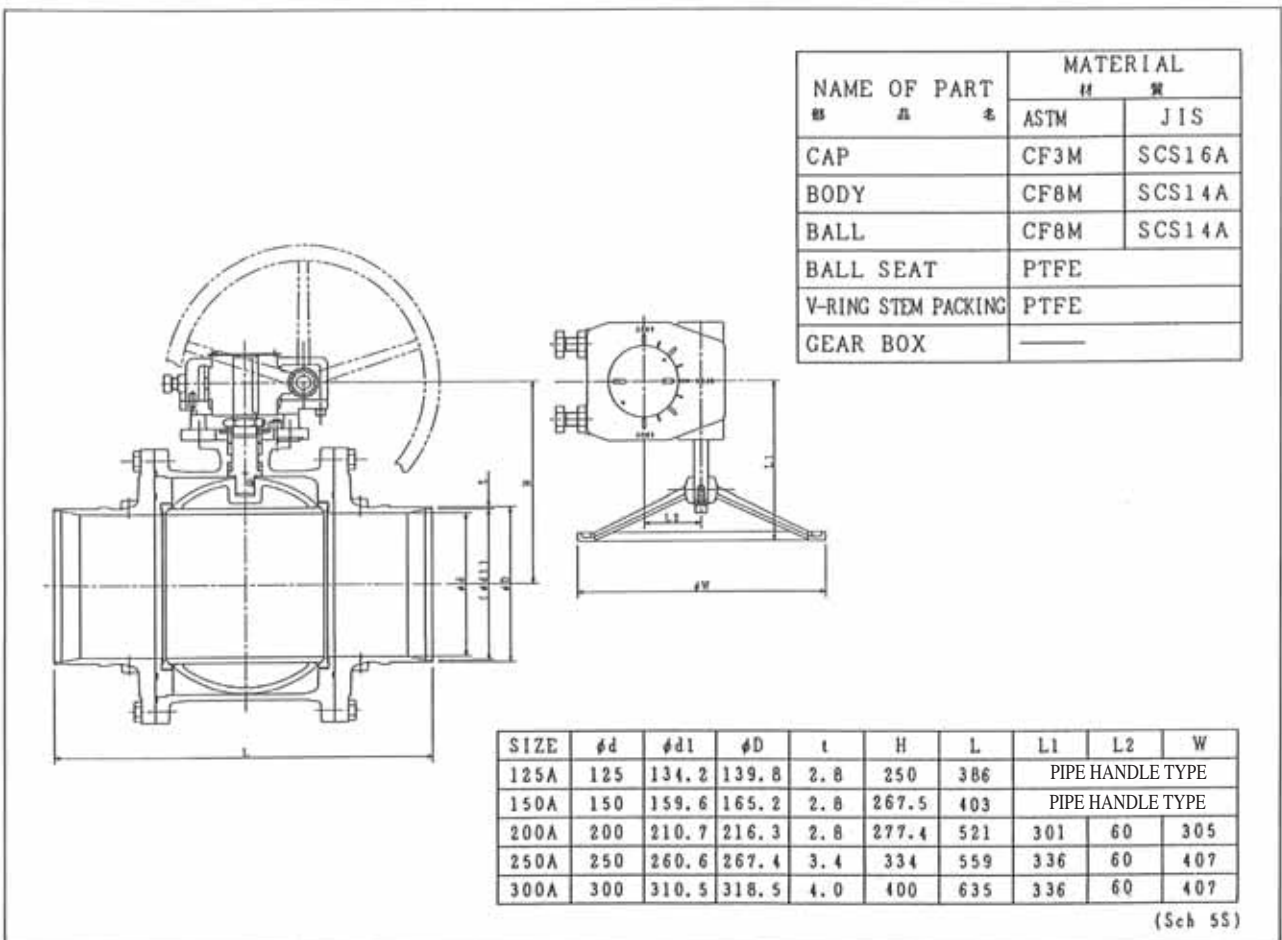


NAME OF PART 部 品 名	MATERIAL 材 質	
	ASTM	JIS
CAP	CF3M	SCS16A
BODY	CF8M	SCS14A
BALL	CF8M	SCS14A
BALL SEAT	PTFE	
V-RING STEM PACKING	PTFE	
HANDLE	SUS304	





302.2 1152 290.2 46.8



**HIGH CLEAN  
Stainless  
Steel  
Ball Valve**

**大野ベロー工業株式会社**

**OHNO BELLOWS**  
IHD.CO.,LTD

---

本社・営業所 〒146-0093 東京都大田区矢口2-15-17 TEL.03-3759-6671 FAX.03-3758-7551  
Head Office : 2-15-17, Yaguchi, Ohta-ku, Tokyo 〒146-0093, Japan.

大阪営業所 〒532-0003 大阪市淀川区宮原4-4-64新大阪千代田ビル8F TEL.06-6396-5610 FAX.06-6395-7659  
OsakaBranch : Shin Osaka Chiyoda Building 4-4-64, Miyahara, Yodogawaku, Osaka 〒532-0003, Japan.

TAIWAN OHNO BELLOWS CO.,LTD.

No.13,LANE 62, SEC. 3, SHIN-SHENG N. RD. TAIPEI, TAIWAN. TEL 02-2596-8800 FAX 02-2593-0215